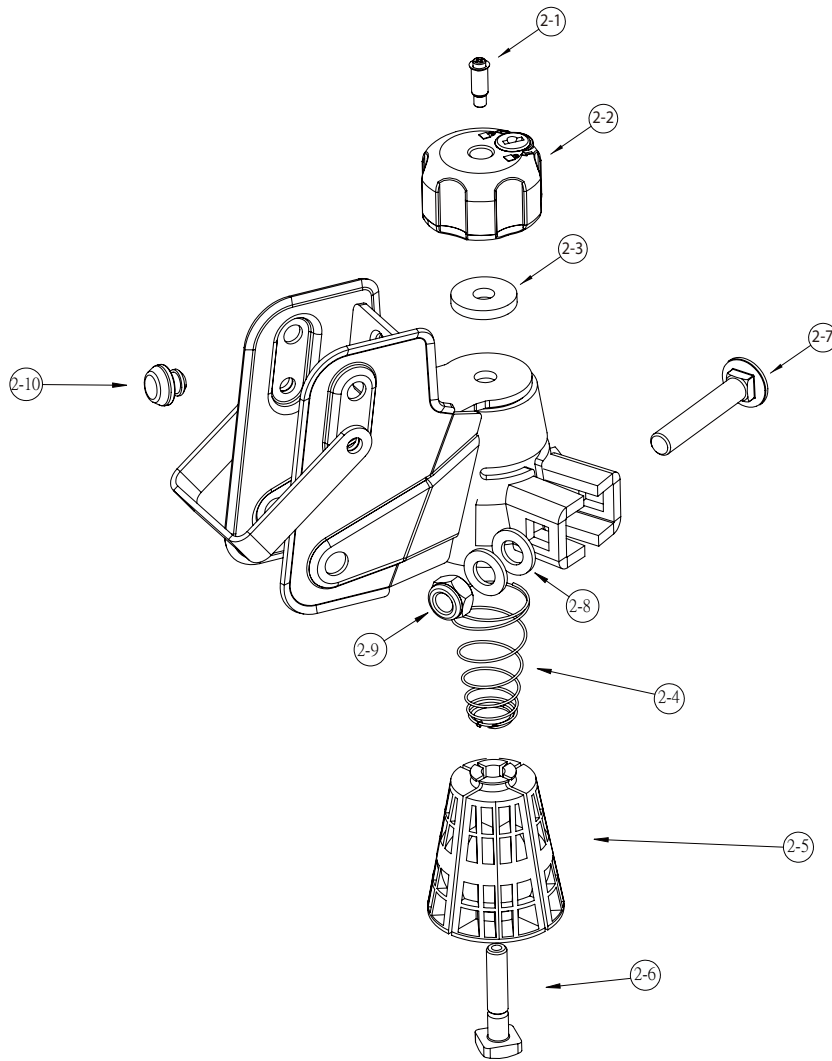


PART	DESCRIPTION	PART NUMBER	QTY.	PACK SIZE	PART	DESCRIPTION	PART NUMBER	QTY.	PACK SIZE
1	Completed cradle								
1-1	Cradle	130-00223-01							
1-2	Rubber Strap	3508-00003-01							
1-3	Strap clip button	130-00486-05							
2	Conic Foot								
3	Button head screw M6x82mm	140-1106-022-58							
4	Screw Cap	118-00093-58							
5	Nylock Nut M6	141-0106-001-58							
6	Head knob	47-0113-031-01							
7	Foot knob	47-0113-032-01							
8	Knob Cable	130-00473-05							
9	End cap	130-00400-01							
10	Self tapping screw	140-1599-001-58							
11	Nylock Nut M10	141-0110-001-58							
12	Wrench	47-0113-030-01							
13	Wrench cover	130-00513-01							
14	Safety strap	47-0037-000-01							
15	Key K001~K010	47-0113-020-01							



PART	DESCRIPTION	PART NUMBER	QTY.	PACK SIZE	PART	DESCRIPTION	PART NUMBER	QTY.	PACK SIZE
2-1	Retainer	47-0113-021-01							
2-2	Locking knob(conic)	47-0113-022-01							
2-3	Washer 10.5 x 32	47-0113-023-01							
2-4	Conical spring	145-00048-50							
2-5	Conical clamp	118-00033-00							
2-6	Square head bolt M10 x 50	47-0113-028-01							
2-7	Carriage bolt M12x70mm	140-0112-007-58							
2-8	Washer 13x24mm	142-1130-001-58							
2-9	Nylock Nut M12	47-0113-029-01							
2-10	Rubber pad	130-00159-01							